

SEARS

OWNER'S MANUAL

Model No.

C249 30042 0

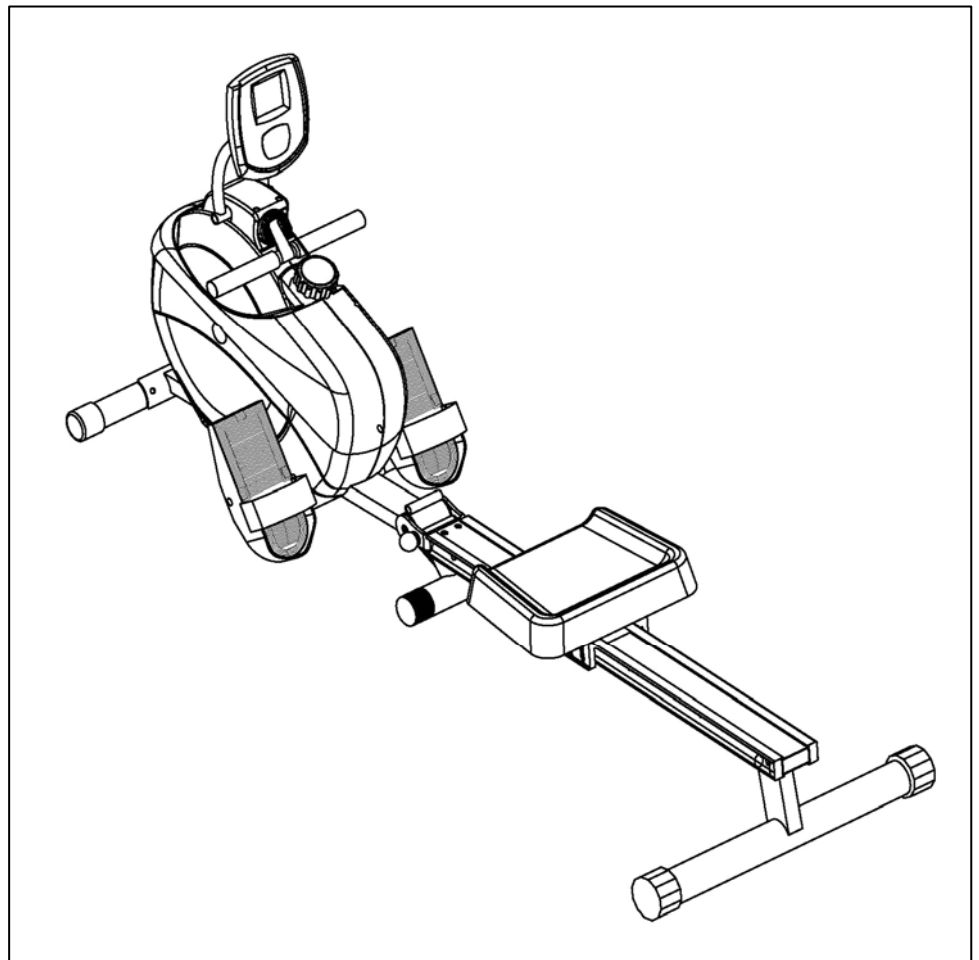
16214801

Free Spirit Rowing machine

- *Assembly*
- *Operation*
- *Exercise*
- *Parts*
- *Warranty*



ROWING MACHINE



Retain for
Future reference

CAUTION:

You must read and understand this owner's manual before operating unit.

MANUFACTURE'S ONE-YEAR LIMITED WARRANTY

Your **FREE SPIRIT** ROWING MACHINE is warranted for one year from the date of purchase against defects in material, when used for the purpose intended, under normal conditions, and provided it receives proper care. Any part found defective or missing will be sent at no cost when returned in accordance with the terms of this warranty.

This warranty is not transferable and is extended only to the original owner.

The warranty shall not apply to rowing machines which are (1) used for commercial or other income producing purposes, or (2) subject to misuse, neglect, accident or unauthorized repairs and alterations.

This warranty provided herein is in lieu of all other express warranties. Any implied warranties, including any implied warranties of merchantability or fitness for particular purpose, are limited in duration to the first 12 months from the date of purchase. All other obligations or liabilities, including liability for consequential damages, are hereby excluded.

REPAIR PARTS AND SERVICE

All of the parts for the rowing machine, shown in figure can be ordered from Maurice Pincoffs Canada Inc. 6050 DON MURIE STREET, NIAGARA FALLS, ONTARIO L2E 6X8. When ordering parts, the parts will be sent and billed at the current prices. Prices may be subject to change without notice. Check or money order must accompany all orders. Standard hardware items are available at your local hardware store.

To ensure prompt and correct handling of any errors, or to answer any questions, please call our Toll Free number: 1-888-707-1880, or local number 1-905-353-8955 or fax 1-905-353-8968 or email customerservice@pincoffs.ca Office hours are from 8:30 AM to 5:00 PM Monday to Friday Eastern Standard Time.

Always include the following information when ordering parts

- Model Number
- Name of Each Part
- Part Number of Each Part

TABLE OF CONTENTS

WARRANTY	1	MONITOR INSTRUCTIONS	12-13
SAFETY PRECAUTIONS	2	TROUBLE SHOOTING	14
PRE-ASSEMBLY CHECK LIST	3	TRAINING GUIDELINES	15-17
PARTS BAG PACKING LIST	4	STRETCHING	18-19
ASSEMBLY INSTRUCTION	5-7	ORDERING REPLACEMENT PARTS	20
DIAGRAM & PARTS LIST	8-11	SERVICE AND PARTS	21

SAFETY PRECAUTIONS

Thank you for purchasing our product. Even though we go to great efforts to ensure the quality of each product we produce, occasional errors and /or omissions do occur. In any event should you find this product to have either a defective or a missing part please contact us for a replacement.

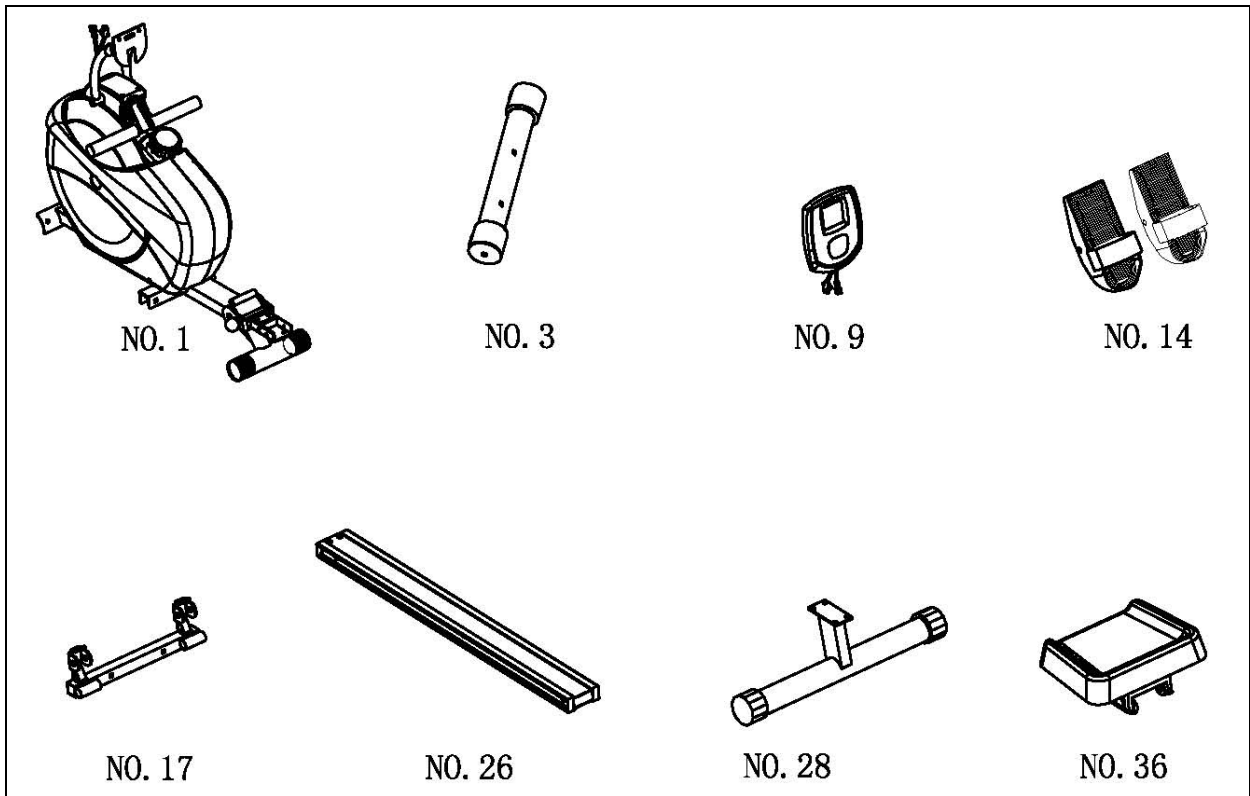
This product has been designed for home use only. Product liability and guarantee conditions will not be applicable to products being subjected to professional use or products being used in a gym center.

This exercise equipment was designed and built for optimum safety. However, certain precautions apply whenever you operate a piece of exercise equipment. Be sure to read the entire manual before assembly and operation of this machine. Also, please note the following safety precautions:

1. Read the OWNER'S OPERATING MANUAL and all accompanying literature and follow it carefully before using your rowing machine.
2. If dizziness, nausea, chest pains, or any other abnormal symptoms are experienced while using this equipment, STOP the workout at once. CONSULT A PHYSICIAN IMMEDIATELY.
3. Inspect your exercise equipment prior to exercising to ensure that all nuts and bolts are fully tightened before each use.
4. The rowing machine must be regularly checked for signs of wear and damage. Any part found defective must be replaced with a new part from the manufacturer.
5. Fitness equipment must always be installed on a flat surface, It is recommended to use an equipment mat to prevent the unit from moving while it is being used, which could possibly scratch or damage the surface of your floor.
6. No changes must be made which might compromise the safety of the equipment.
7. It is recommended to have a minimum of 2' safe clearance around the exercise equipment while in use.
8. Keep children and pets away from this equipment at all times while exercising.
9. Warm up 5 to 10 minutes before each workout and cool down 5 to 10 minutes afterward. This allows your heart rate to gradually increase and decrease and will help prevent you from straining muscles.
10. Never hold your breath while exercising. Breathing should remain at a normal rate in conjunction with the level of exercise being performed
11. Always wear suitable clothing and footwear while exercising. Do not wear loose fitting clothing that could become entangled with the moving parts of your rowing machine.
12. Care must be taken when lifting or moving the equipment, so as not to injure your back. Always use proper lifting techniques.
13. User weight should not exceed 250 lbs.

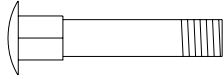
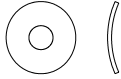
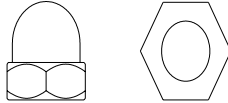
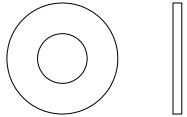
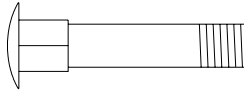
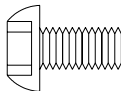
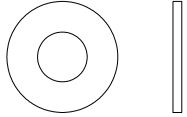
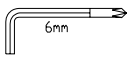
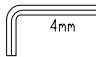
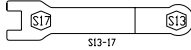
WARNING: BEFORE BEGINNING ANY EXERCISE PROGRAM CONSULT YOUR PHYSICIAN. THIS IS ESPECIALLY IMPORTANT FOR INDIVIDUALS OVER THE AGE OF 35 OR PERSONS WITH PRE-EXISTING HEALTH PROBLEMS. READ ALL INSTRUCTIONS BEFORE USING ANY FITNESS EQUIPMENT. WE ASSUME NO RESPONSIBILITY FOR PEROSNAL INJURY OR PROPERTY DAMAGE SUSTAINS BY OR THROUGH THE USE OF THIS PRODUCT.

PRE-ASSEMBLY CHECK LIST



PART NO.	DESCRIPTION	Q'TY
1	Main Frame	1
3	Front Stabilizer w/end caps	1
9	Computer	1
14	Pedal R/ L	2
17	Pedal Support Tube	1
26	Slide Rail	1
28	Rear Stabilizer w/end caps	1
36	Seat	1
	Inner box	1
	Manual	1

HARDWARE PACKING LIST

NO.	Description	Drawing	QTY
2	Carriage Bolt M10*75		2
6	Arc Washer $\phi 10 \times \phi 25$		2
7	Domed Nut M10		4
16	Washer $\phi 10 \times \phi 20$		2
19	Carriage bolt M10 x 50		2
24	Allen Bolt M8X16		8
25	Washer $\phi 8 \times \phi 17$		8
	Allen Key L6		1
	Allen Key L4		2
	Allen Wrench S13,17		1

Above described parts are all the parts you need to assemble this machine. Before you start to assemble, please check the hardware packing to make sure they are included.

ASSEMBLY INSTRUCTION

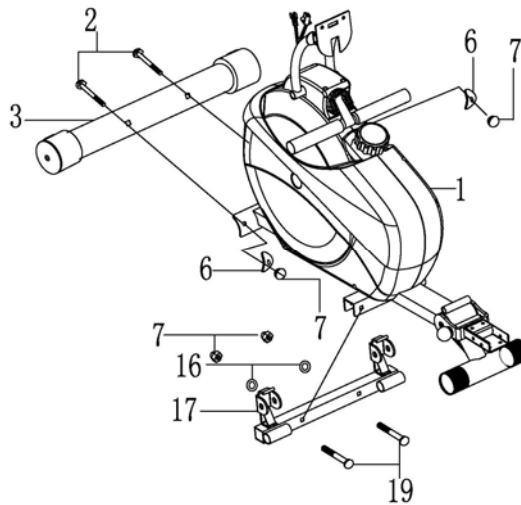
This manual is designed to help you easily assemble, adjust and use this machine. Please read this manual carefully. For the sake of familiarizing yourself with the parts identified in the instruction, first study the overview drawing.

Set all parts in a clear area on the floor and remove the packing material. Refer to the parts list for help to identify the parts. It will take two people to assemble your unit.

Step 1

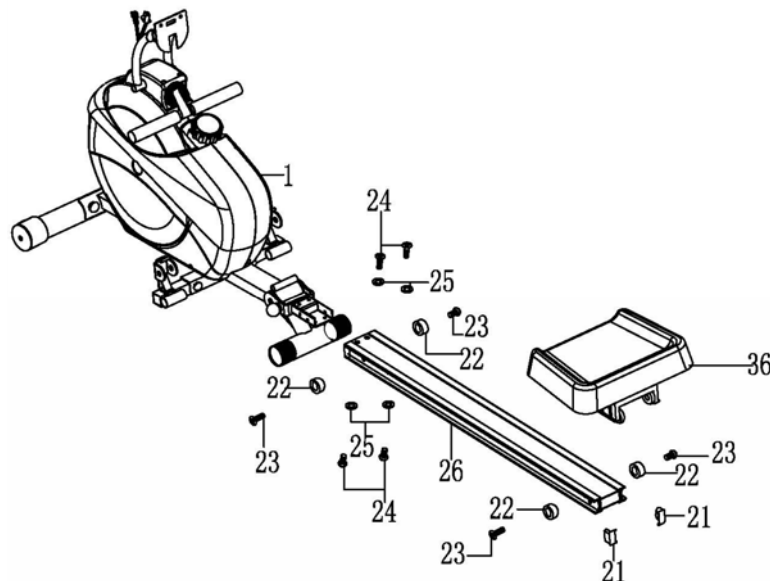
Attach front stabilizer (3) to the front of the main frame (1). Secure using two carriage bolts (2), two arc washers (6) and two domed nuts (7).

Attach the pedal support tube (17) to back of the main frame (1). Secure using two carriage bolts (19), two arc washers (16) and two domed nuts (7).



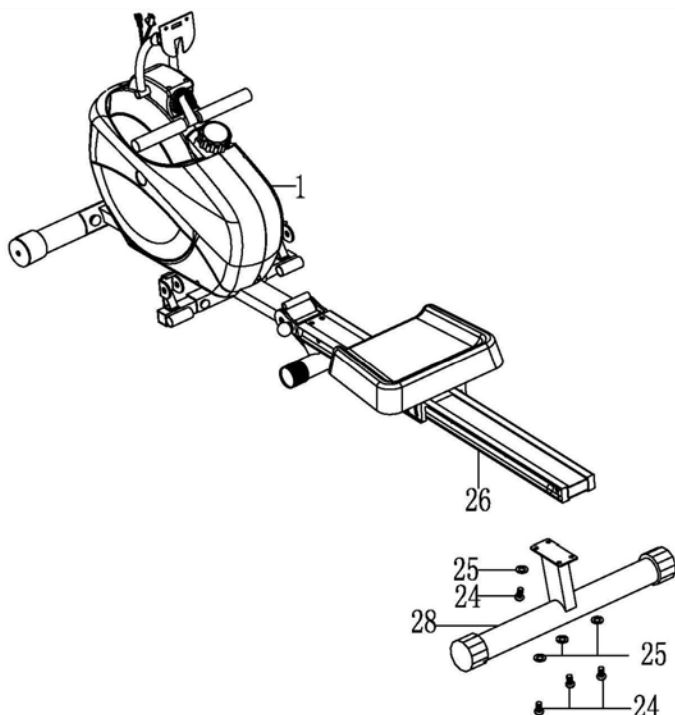
Step 2

- Remove the four end collars (22) and four allen bolts (23) from slide rail (26).
- Insert the slide rail (26) into the back of the main frame (1). Secure using four allen bolts (24) and four washers (25).
- Remove the end caps (21) from the slide rail (26)
- Slide the seat (36) onto the slide rail (26).
- Re-attach the end collars (22) to the front and back of the slide rail (26). Secure using the allen bolts (23). Attach the end caps (21) onto the back of the slide rail (26)



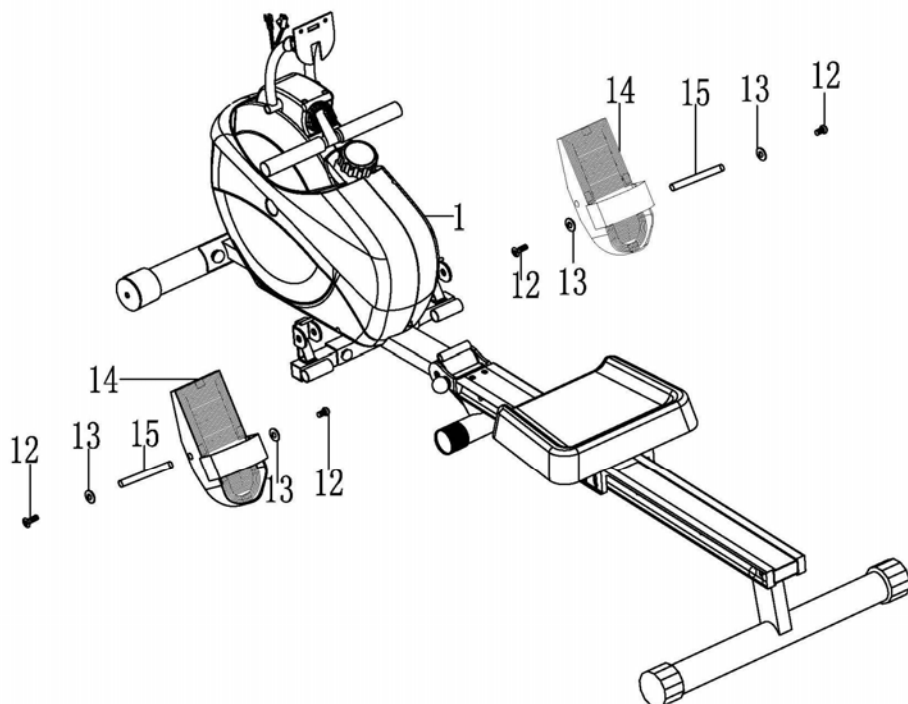
Step 3

Attach rear stabilizer (28) to back of the slide rail (26). Secure using four allen bolts (24) and four washers (25).



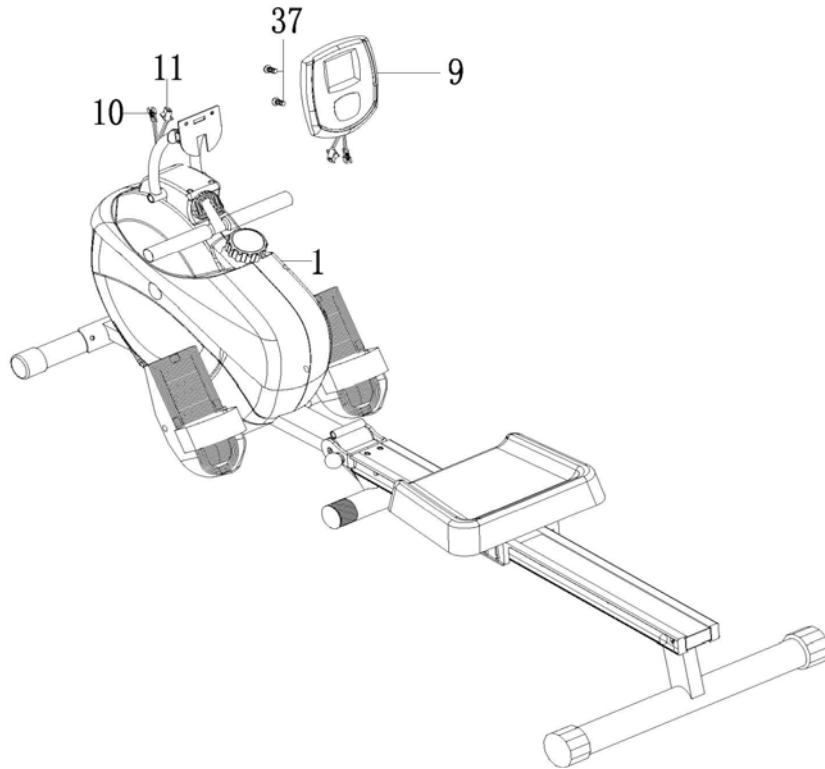
Step 4

- Remove the allen bolts (12), left washers (13) and the axle (15) from the left pedal (14L).
- Attach the left pedal (14L) to the left bracket of the pedal support tube (17). Slide the axle (15) through the left pedal (14L). Secure using two allen bolts (12) and two washers (13).
- Repeat the same procedure for right pedal (14R).



Step 5

- Connect the computer sensor wire (10) and the sensor wire (11) to the back of the computer (9).
- Attach computer (9) to computer bracket (67) and tighten with two screws (37).
Note: Ensure that the wires are not pinched behind the monitor.



You have completed the assembly of your new dual action recumbent.

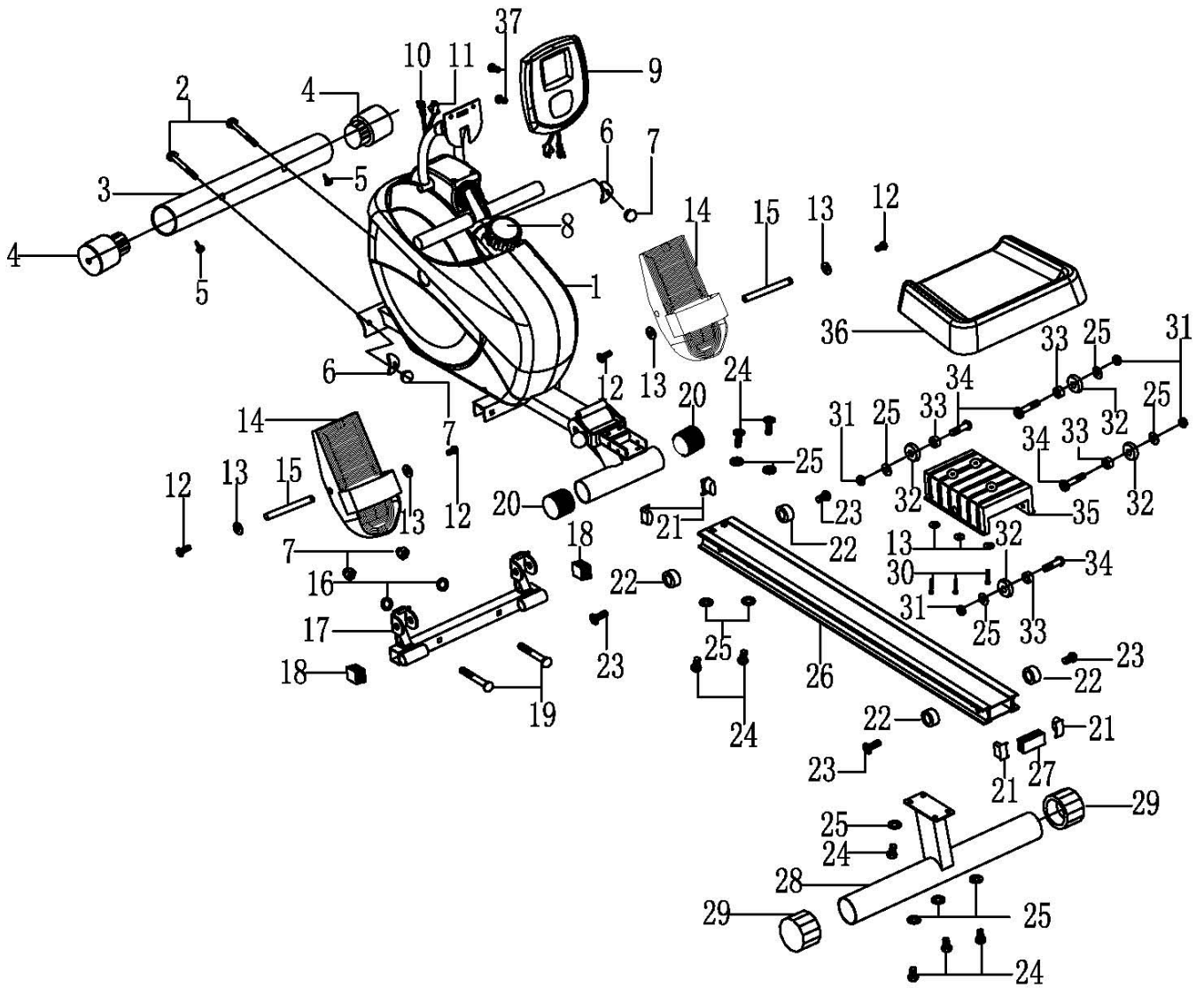
The monitor can only be powered by using the AA battery.

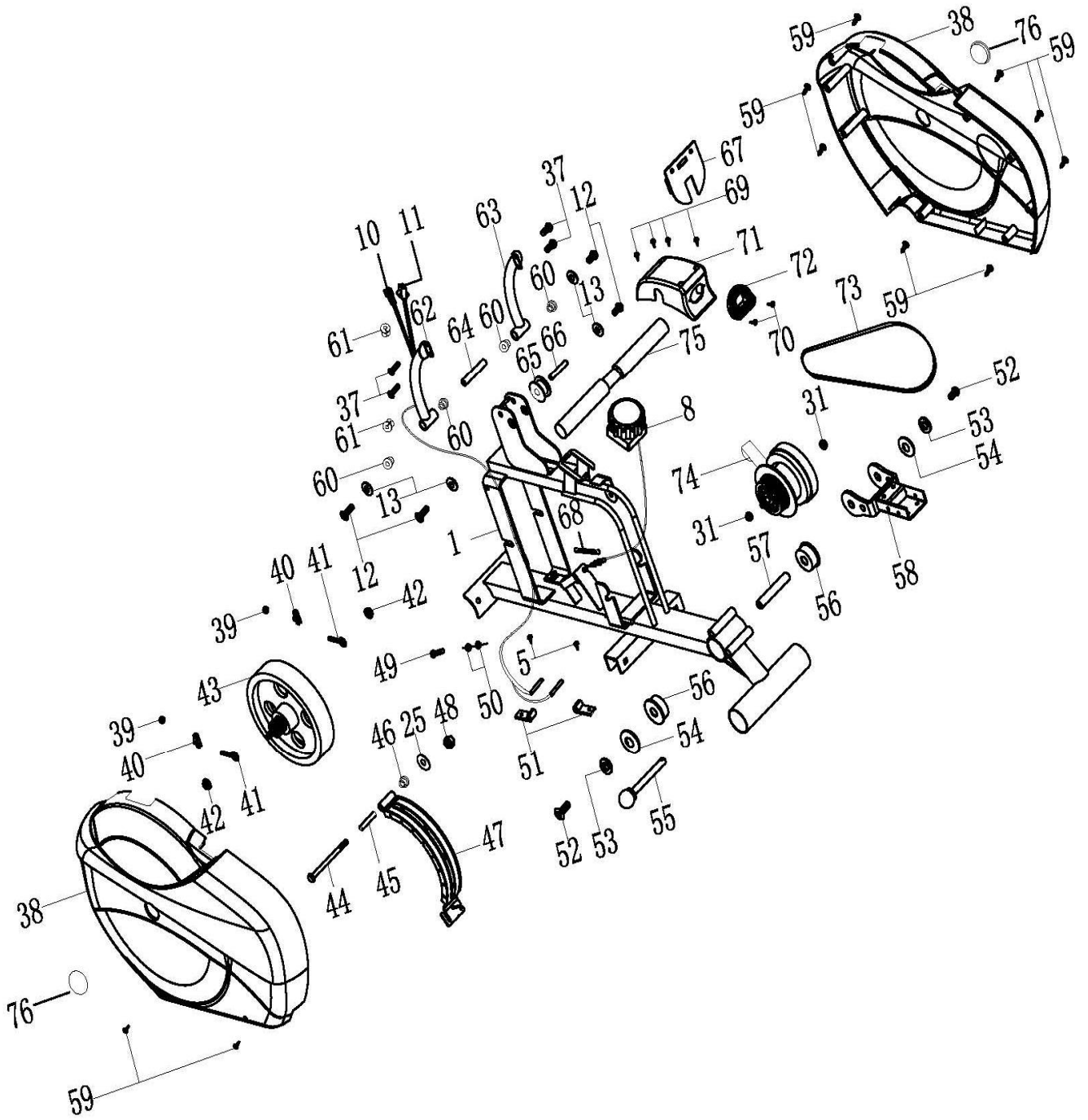
PART LIST

KEY NO.	PART NO.	DESCRIPTION	QTY
1	1480101	Main Frame	1
2	1480102	Carriage Bolt M10*75	2
3	1480103	Front Stabilizer Φ 60	1
4	1480104	End Cap For Front Stabilizer Φ 60	2
5	1480105	Phillips Screw ST5*15	4
6	1480106	Arc Washer Φ 10* Φ 25	2
7	1480107	Domed Nut M10	4
8	1480108	8-Level Tension Knob	1
9	1480109	Computer	1
10	1480110	Computer sensor wire	1
11	1480111	Computer sensor wire	1
12	1480112	Allen Bolt M6*15	8
13	1480113	Washer Φ 6.5*22	11
14L	1480114L	Pedal left	1
14R	1480114R	Pedal right	1
15	1480115	Axle For Pedal	2
16	1480116	Washer Φ 10* Φ 20	2
17	1480117	Pedal Support Tube	1
18	1480118	Square End Cap 30*30	2
19	1480119	Carriage Bolt M10*50	2
20	1480120	End Cap Φ 50.8	2
21	1480121	End Cap For Slide Rail	4
22	1480122	Collar	4
23	1480123	Allen Bolt M8*22	4
24	1480124	Allen Bolt M8*16	8
25	1480125	Washer Φ 8* Φ 17	13
26	1480126	Slide Rail	1
27	1480127	Square End Cap For Slide Rail 60*30	1
28	1480128	Rear Stabilizer	1
29	1480129	End Cap For Rear Stabilizer	2
30	1480130	Hex Bolt M6*40	3
31	1480131	Nylon Nut M8	6
32	1480132	Wheel	4
33	1480133	Sleeve Φ 8* Φ 12*6	4
34	1480134	Allen Bolt M8*40	4
35	1480135	Seat Support	1
36	1480136	Seat	1
37	1480137	Phillips Screw M5*10	6

38L	1480138L	Chain Cover Left	1
38R	1480138R	Chain Cover Right	1
39	1480139	Nylon Nut M6	2
40	1480140	Clip	2
41	1480141	Screw For Clip M6	2
42	1480142	France Nut M10	2
43	1480143	Flywheel	1
44	1480144	Hex Bolt M8*105	1
45	1480145	Bushing	1
46	1480146	Small Bushing	1
47	1480147	Magnetic Assembly	1
48	1480148	Hex Nut M8	1
49	1480149	Hex Bolt M6*20	1
50	1480150	Hex Nut M6	2
51	1480151	Sensor bracket	2
52	1480152	Allen Bolt M8*16	2
53	1480153	Spring Washer $\Phi 8$	2
54	1480154	Washer $\Phi 8 \times \Phi 25$	2
55	1480155	Lock knob	1
56	1480156	Bushing $\Phi 50.8$	2
57	1480157	Axle For Slide Rail $\Phi 16 \times 90$	1
58	1480158	U Type Connect Tube	1
59	1480159	Self Tapping Screw ST5*20	10
60	1480160	Bushing $\Phi 19$	4
61	1480161	Small Cover	2
62	1480162	Computer Support Tube (Left)	1
63	1480163	Computer Support Tube (Right)	1
64	1480164	Axle For Computer Support Tube	1
65	1480165	Idler Pulley	1
66	1480166	Axle For Idler	1
67	1480167	Computer Bracket	1
68	1480168	Spring $\Phi 10 \times 37$	1
69	1480169	Self Tapping Screw ST4*15	4
70	1480170	Pan Head Tapping Screws. ST4*15	2
71	1480171	Computer Support Tube Cover	1
72	1480172	Rope Pulley Cover	1
73	1480173	Belt	1
74	1480174	Rope pulley	1
75	1480175	Handlebar w/rope	1
76	1480176	Cap For Chain Cover	2

DIAGRAM





MONITOR INSTRUCTIONS



BUTTONS GUIDE:

MODE: Press to select functions between: time, count, distance and calories

UP or Down: Press to preset the target value of time, count, distance and calories

RESET: Press to reset your preset value to zero.
Press and hold for four seconds to reset all values to zero.

FUNCTIONS:

TIME: Shows your elapsed workout time up to 99:59
Counts down from your preset target time to 00:00 during your workout

DISTANCE: Displays the cumulative distance traveled during your workout up to 99.9M.
Counts down from your preset target time to 0.0 during your workout

COUNT: Accumulates total working count from 0 up to 9999.
Counts down from your preset count to 0.0 during your workout. Each setting is 10 count

CALORIE: Displays the cumulative calories burned at any given time during your workout up to 999 kcal.
Counts down from your preset target calorie to 0 cal.
This data is a rough guide for comparison of different exercise session which cannot be used as medical treatment



The picture indicates the travel distance on the roller machine during exercise. Simply turn Tension Control Knob to increase or decrease the tension. The resistance level bar will display on the monitor.

Remarks

1. Monitor requires two "AA" batteries
2. The monitor will turn on automatically by pressing any key or when you start pedaling.
3. The monitor will turn off automatically if no signal is detected for four minutes.
4. If more than one value is set, the monitor will sound an alarm for eight seconds and start to count up.
5. If monitor is illegible or partial segments appear, remove batteries and wait 15 seconds to re-install.

Trouble Shooting

Problem	Cause	Correction
Monitor does not display	Batteries weak or dead	Replace batteries
No speed or distance displays on the monitor	Sending unit not connected	Securely plug sending unit into extension wire and the back of the monitor
	Sending unit not working properly	Replace sending unit
	Monitor not working properly	Replace monitor
No tension	Tension control cable not connected	Securely plug tension control cable into the extension tension control cable
	Magnetic wheel not working properly	Replace magnetic wheel
Heart rate not displaying	Pulse wire not connected not connected	Securely plug wires into the back of the monitor
	Hand pulse defective	Replace hand pulse grip or ear clip
	Monitor not working properly	Replace monitor
Grinding	Crank bearing defective	Replace crank bearings
	Idler pulley defective	Replace idler pulley
	Mag wheel defective	Replace magnetic wheel
Squealing	V-belt slipping	Adjust v-belt

Always ensure batteries are fresh and in correctly.

TRAINING GUIDELINES

Exercise

Exercise is one of the most important factors in the overall health of an individual. Listed among its benefits are:

- Increased capacity for physical work (strength endurance)
- Increased cardiovascular (heart and arteries/veins) and respiratory efficiency
- Decreased risk of coronary heart disease
- Changes in body metabolism, e.g. losing weight
- Delaying the physiological effects of age
- Physiological effects, e.g. reduction in stress, increase in self-confidence, etc.

Basic Components of Physical Fitness

There are four all encompassing components of physical fitness and we need to briefly define each and clarify its role.

Strength is the capacity of a muscle to exert a force against resistance. Strength contributes to power and speed and is of great importance to a majority of sports people.

Muscular Endurance is the capacity to exert a force repeatedly over a period of time, e.g. it is the capacity of your legs to carry you 10 Km without stopping.

Flexibility is the range of motion about a joint. Improving flexibility involves the stretching of muscles and tendons to maintain or increase suppleness, and provides increased resistance to muscle injury or soreness.

Cardio-Respiratory Endurance is the most essential component of physical fitness. It is the efficient functioning of the heart and lungs

Aerobic Fitness

The largest amount of oxygen that you can use per minute during exercise is called your maximum oxygen uptake (MVo₂). This is often referred to as your aerobic capacity.

The effort that you can exert over a prolonged period of time is limited by your ability to deliver oxygen to the working muscles. Regular vigorous exercise produces a training effect that can increase your aerobic capacity by as much as 20 to 30%. An increased MVO₂ indicates an increased ability of the heart to pump blood, of the lungs to ventilate oxygen and of the muscles to take up oxygen.

Anaerobic Training

This means "without oxygen" and is the output of energy when the oxygen supply is insufficient to meet the body's long term energy demands. (For example, 100 meter sprint).

The Training Threshold

This is the minimum level of exercise which is required to produce significant improvements in any physical fitness parameter.

Progression

As you become fitter, a higher intensity of exercise is required to create an overload and therefore provide continued improvement

Overload

This is where you exercise at a level above that which can be carried out comfortably. The intensity, duration and frequency of exercise should be above the training threshold and should be gradually increased as the body adapts to the increasing demands. As your fitness level improves, so the training threshold should be raised.

Working through your program and gradually increasing the overload factor is important.

Specificity

Different forms of exercise produce different results. The type of exercise that is carried out is specific both to the muscle groups being used and to the energy source involved. There is little transfer of the effects of exercise, i.e. from strength training to cardiovascular fitness. That is why it is important to have an exercise program tailored to your specific needs.

Reversibility

If you stop exercising or do not do your program often enough, you will lose the benefits you have gained. Regular workouts are the key to success.

Warm Up

Every exercise program should start with a warm up where the body is prepared for the effort to come. It should be gentle and preferably use the muscles to be involved later. Stretching should be included in both your warm up and cool down, and should be performed after 3-5 minutes of low intensity aerobic activity or callisthenic type exercise.

Warm Down or Cool Down

This involves a gradual decrease in the intensity of the exercise session. Following exercise, a large supply of blood remains in the working muscles. If it is not returned promptly to the central circulation, pooling of blood may occur in the muscles

Heart Rate

As you exercise, so the rate at which your heart beat also increases. This is often used as a measure of the required intensity of exercise. You need to exercise hard enough to condition your circulatory system, and increase your pulse rate, but not enough to strain your heart.

Your initial level of fitness is important in developing an exercise program for you. If you are starting off, you can get a good training effect with a heart rate of 110-120 beats per minute(BPM). If you are fitter, you will need a higher threshold of stimulation.

To begin with, you should exercise at a level that elevates your heart rate to about 65 to 70% of your maximum. If you find this is too easy, you may want to increase it, but it is better to lean on the conservative side.

As a rule of thumb, the maximum heart rate is 220 minus your age. As you increase in age, so your heart, like other muscles, loses some of its efficiency. Some of its natural loss is won back as fitness improves.

The following table is a guide to those who are "starting fitness".

Age	25	30	35	40	45	50	55	60	65
Target heart Rate									
10Second Count	23	22	22	21	20	19	19	18	18
Beats per Minute	138	132	132	126	120	114	114	108	108

Pulse Count

The pulse count(on your wrist or carotid artery in the neck, taken with two index fingers)is done for ten seconds, taken a few seconds after you stop exercising. This is for two reasons: (a) 10 seconds is long enough for accuracy, (b) the pulse count is to approximate your BPM rate at the time you are exercising. Since heart rate slows as you recover, a longer count isn't as accurate.

The target is not a magic number, but a general guide. If you're above average fitness, you may work quite comfortably a little above that suggested for your age group.

The following table is a guide to those who are keeping fit. Here we are working at about 80% of maximum.

Age	25	30	35	40	45	50	55	60	65
Target heart Rate									
10Second Count	26	26	25	24	23	22	22	21	20
Beats per Minute	156	156	150	144	138	132	132	126	120

Don't push yourself too hard to reach the figures on this table. It can be very uncomfortable if you overdo it. Let it happen naturally as you work through your program. Remember, the target is a guide, not a rule, a little above or below is just fine.

Two final comments:(1) don't be concerned with day to day variations in your pulse rate, being under pressure or not enough sleep can affect it;(2) your pulse rate is a guide, don't become a slave to it.

Endurance Circuit Training

Cardiovascular endurance, muscle, strength, flexibility and coordination are all necessary for maximum fitness. The principle behind circuit training is to give a person all the essentials at one time by going through your exercise program moving as fast as possible between each exercise. This increases the heart rate and sustains it, which improves the fitness level. Do not introduce this circuit training effect until you have reached an advanced program stage.

Body Building

Is often used synonymously with strength training The fundamental principal here is OVERLOAD. Here, the muscle works against greater loads than usual. This can be done by increasing the load you are working against.

Patronization

This is the term used to vary your exercise program for both physiological and psychological benefits. In your overall program, you should vary the workload, frequency and intensity. The body responds better to variety and so do you. In addition, when you feel yourself getting "stale", bring in periods of lighter exercise to allow the body to recuperate and restore its reserves. You will enjoy your program more and feel better for it.

Muscle Soreness

For the first week or so, this may be the only indication you have that you are on an exercise program. This, of course, does depend on your overall fitness level. A confirmation that you are on the correct program is a very slight soreness in most major muscle groups. This is quite normal and will disappear in a matter of days.

If you experience major discomfort, you may be on a program that is too advanced or you have increased your program too rapidly.

If you experience PAIN during or after exercise, your body is telling your something.

Stop exercising and consult your doctor.

What to Wear

Wear clothing that will not restrict your movement in any way while exercising. Clothes should be light enough to allow the body to cool. Excessive clothing that causes you to perspire more than you normally would while exercising, gives you no advantage. The extra weight you lose is body fluid and will be replaced with the next glass of water you drink. It is advisable to wear a pair of gym or running shoes or "sneakers".

Breathing during Exercise

Do not hold your breath while exercising. Breathe normally as much as possible. Remember, breathing involves the intake and distribution of oxygen, which feeds the working muscles.

Rest periods

Once you start your exercise program, you should continue through to the end. Do not break off halfway through and then restart at the same place later on without going through the warm-up stage again.

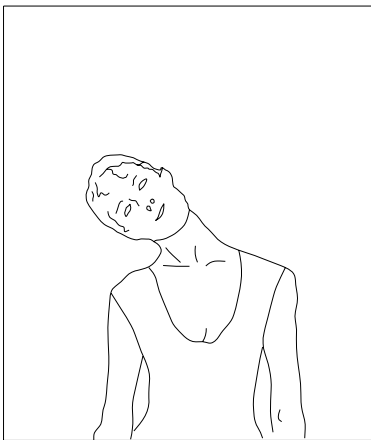
The rest period required between strength training exercises may vary from person to person. This will depend mostly on your level of fitness and the program you have chosen. Rest between exercises by all means, but do not allow this to exceed two minutes. Most people manage with half minute to one minute rest periods

STRETCHING

Stretching should be included in both your warm up and cool down, and should be performed after 3-5 minutes of low intensity aerobic activity or callisthenic type exercise. Movements should be performed slowly and smoothly, with no bouncing or jerking. Move into the stretch until slight tension, not pain, is felt in the muscle and hold for 20-30 seconds. Breathing should be slow, rhythmical and under control, making sure never to hold your breath.

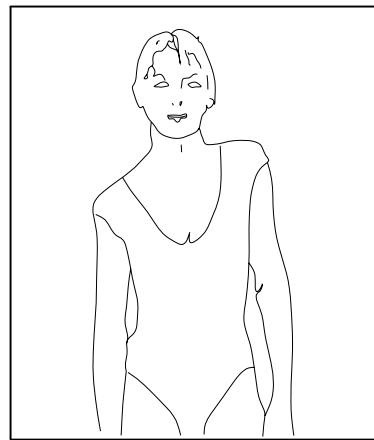
HEAD ROLLS

Rotate your head to the right for one count, feeling the stretch up the left side of your neck. Next rotate your head back for one count, stretching your chin to the ceiling and letting your mouth open. Rotate your head to the left for one count, and finally, drop your head to your chest for one count.



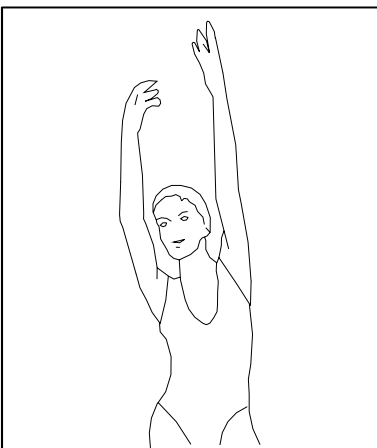
SHOULDER LIFTS

Lift your right shoulder up toward your ear for one count. Then lift your left shoulder up for one count as you lower your right shoulder.



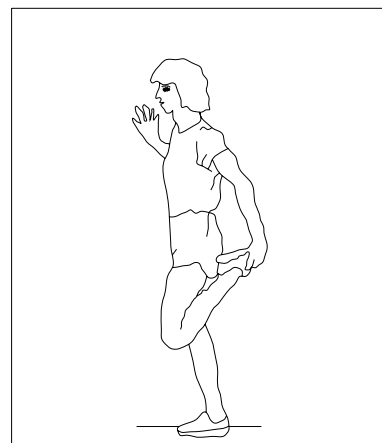
SIDE STRETCHES

Open your arms to the side and continue lifting them until they are over your head. Reach your right arm as far upward toward the ceiling as you can for one count. Feel the stretch up your right side. Repeat this action with your left arm.



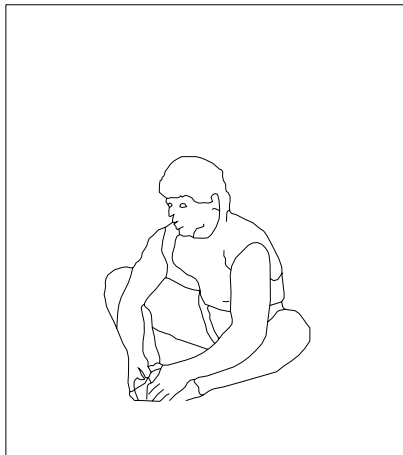
QUADRICEPS STRETCH

With one hand against a wall for balance, reach behind you and pull your right foot up. Bring your heel as close to your buttocks as possible. Hold for 15 counts and repeat with left foot up.



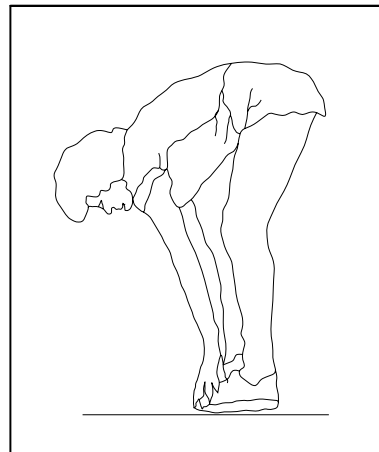
INNER THIGH STRETCH

Sit with the soles of your feet together with your knees pointing outward. Pull your feet as close into your groin as possible. Gently push your knees towards the floor. Hold for 15 counts.



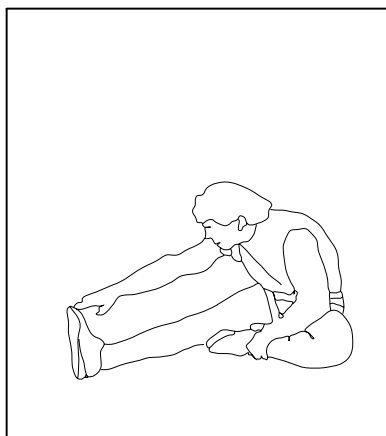
TOE TOUCHES

Slowly bend forward from your waist, letting your back and shoulders relax as you stretch toward your toes. Reach down as far as you can and hold for 15 counts.



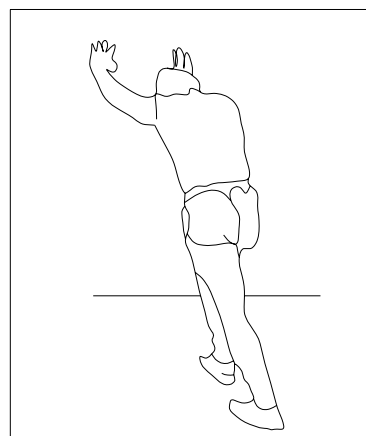
HAMSTRING STRETCHES

Sit with your right leg extended. Rest the sole of your left foot against your right inner thigh. Stretch toward your toe as far as possible. Hold for 15 counts. Relax and then repeat with left leg extended.



CALF / ACHILLES STRETCH

Lean against a wall with your left leg in front of the right and your arms forward. Keep Your right leg straight and the left foot on the floor, then bend the left leg and lean forward by moving your hips toward the wall. Hold, then repeat on the other side for 15 counts.





OWNER'S MANUAL

Model No.

C249 30042 0

FREE SPIRIT ROWING MACHINE



SERVICE
Is at
YOUR
SERVICE

You should record both model number and serial number and keep in a safe place for future reference.

HOW TO ORDER REPLACEMENT PARTS

The MODEL NUMBER for the ROWING MACHINE will be found on the frame

Always mention this MODEL NUMBER when requesting service or replacement parts for your ROWING MACHINE.

All parts listed herein may be ordered through SEARS CANADA INC. RETAIL OR CATALOG STORES AND SERVICE CENTERS. If the parts you need are not stocked locally your order will be electronically transmitted to a SEARS Parts Distribution Center for expedited handling.

When ordering parts by mail, selling prices will be furnished on request or parts will be shipped at prevailing prices and you will be billed accordingly.

WHEN ORDERING REPLACEMENT PARTS, ALWAYS GIVE THE FOLLOWING INFORMATION.

1. PART NUMBER
2. PART DESCRIPTION
3. MODEL NUMBER
4. NAME OF ITEM

Your sears merchandise takes on added value when you discover that Sears has Service Units throughout the Country. Each is staffed by Sears, Trained Technicians Sears approved methods.

For assembly helps or missing parts call the factory at 1-888-707-1880



Get it fixed, at your home or ours!

Just Call:

1-800-4-MY-HOME®

(1-800-469-4663)

24 hours a day, 7 days a week

For the repair of major brand appliances **in your own home ...**
no matter who made it, no matter who sold it!

For your nearest **Sears Parts & Service** location,
to bring in products like vacuums, lawn equipment and electronics.

For **Sears Parts & Service**, to order the replacement parts,
accessories and owner's manuals that you need to do-it-yourself.

www.sears.ca

To purchase or inquire about a Sears Maintenance Agreement, call:

1-800-361-6665

9 a.m. – 11 p.m. Mon. – Fri. EST, 9 a.m. – 4 p.m. Sat.

Pour service en français:

1-800-LE-FOYER^{MC}

(1-800-533-6937)

www.sears.ca



®/™ Trademarks of Sears, Roebuck and Co. used under license by Sears Canada

® Marque déposée/ ^{MC}Marque de commerce de Sears, Roebuck and Co. utilisée en vertu d'une licence de Sears Canada